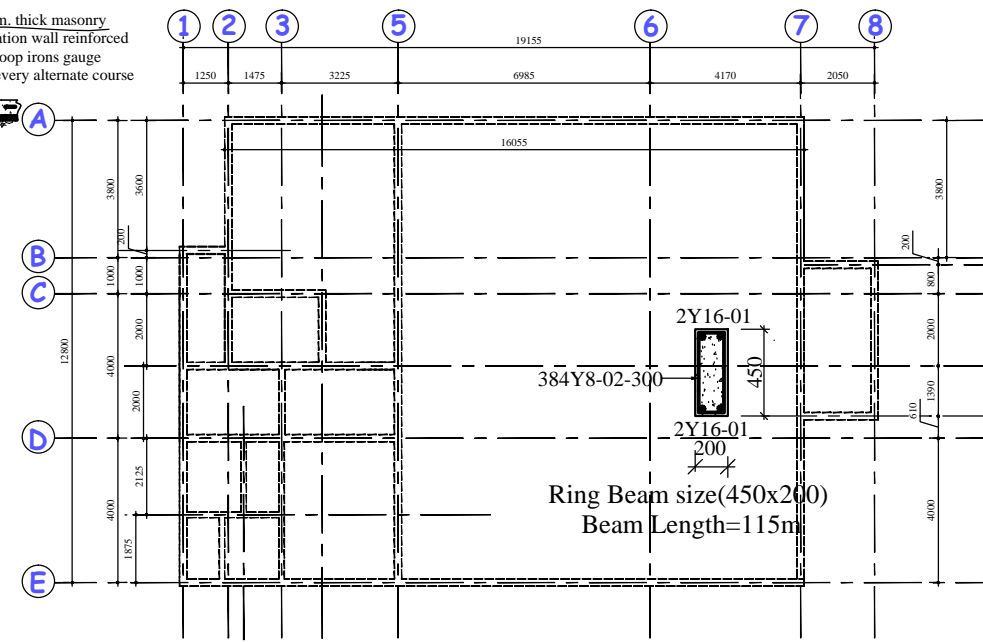
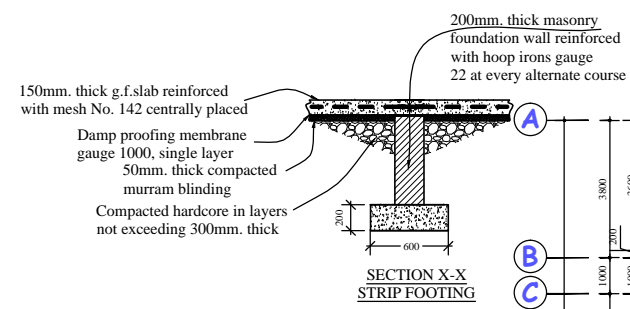
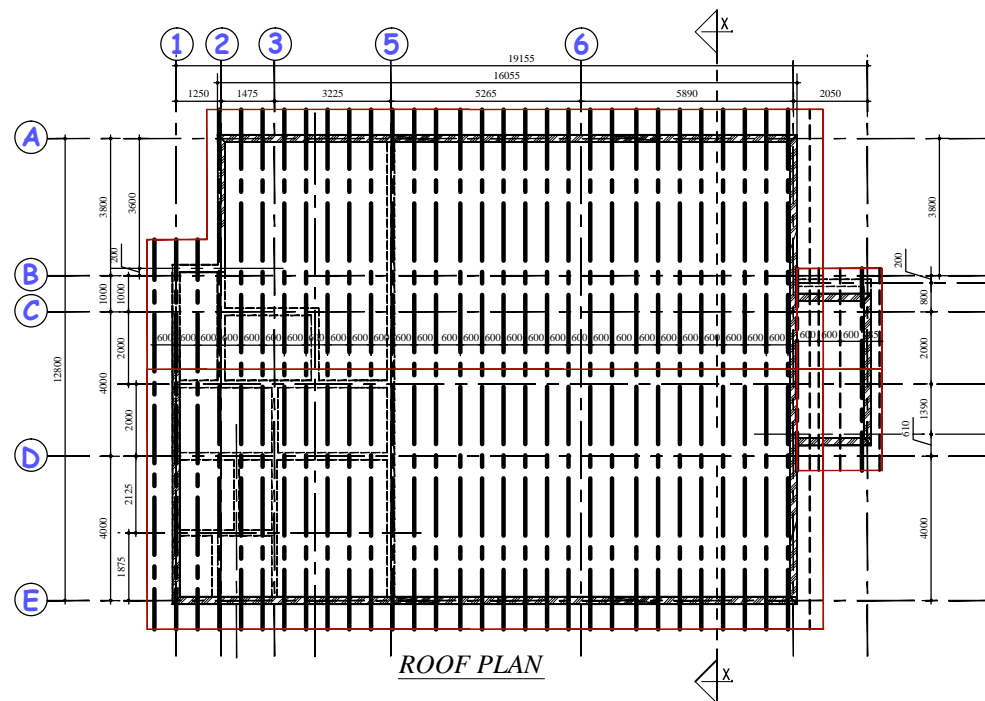


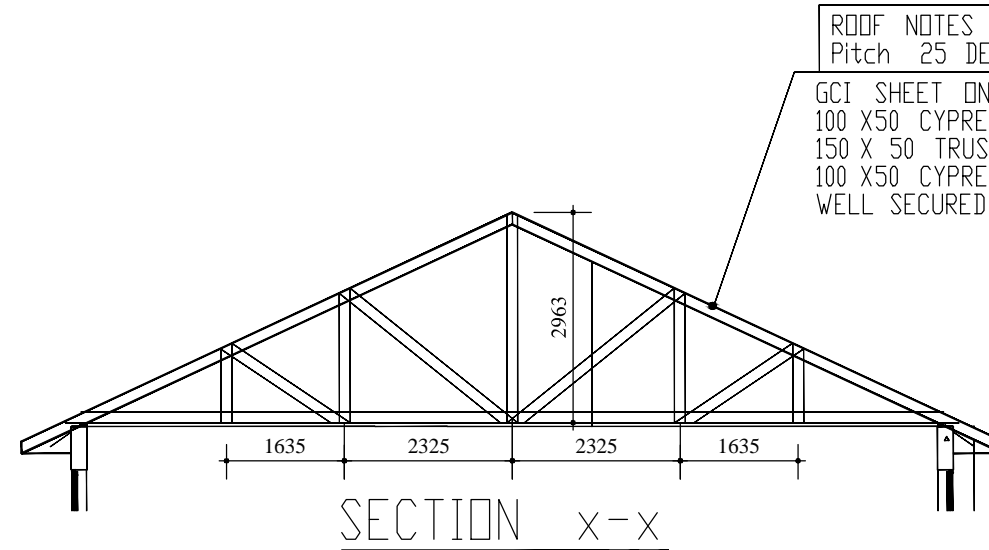
**FOUNDATION AND GROUND FLOOR SLAB  
- LAYOUT & STRUCTURAL DETAILS**



**RING BEAMS STRUCTURAL DETAILS**



**ROOF PLAN**



**SECTION X-X**

**ROOF NOTES**  
Pitch 25 DEG

GCI SHEET ON  
100 X 50 CYPRESS PURLINS ON  
150 X 50 TRUSSES AND RAFTERS ON  
100 X 50 CYPRESS WALL PLATE  
WELL SECURED TO THE WALL TO APPROVAL.

**GENERAL NOTES**

1. USE FIGURED DIMENSIONS ONLY.
2. ALL WINDOWS TO HAVE PV.
3. ALL DOORS EXCEPT TOILETS TO HAVE PV.
4. 1000 G POLYTHENE SHEET UNDER SLAB ON 50MM MURRUM BLINDING.
5. HESSIAN BASED BITUMINOUS FELT UNDER ALL WALLS (DPC).
6. ALL STRUCTURAL WORKS TO ENGINEERS DETAILS.

**REVISIONS**

No	Date	Descriptions

**WINDOW SCHEDULE**

Type	Length	Height	No Req

SHEET NO 01

PROJECT  
**VISUALLY IMPAIRED SCHOOL-KITUI COUNTY  
HALL AND KITCHEN**

CLIENT  
**Salus Oculi Kenya**

Job  
**Foundation, Ring beam & Roof Plan**

SIGN  
SCALE 1:100  
DATE MARCH, 2023  
DRAWN BY Felix  
CHECKED BY